

AR 480S

OPERATING WEIGHT
6,280 - 6,600 kg

ENGINE OUTPUT
55.4 kW (74.3 HP)

SHOVEL CAPACITY
0.8 - 1.6 m³



 **Weycor**
BY ATLAS WEYHAUSEN



Operating data

Shovel capacity	0.8 m³
Track width	1,520 mm
Turning radius (outer shovel edge)	4,226 mm
Tear out force	4,000 daN
Torque	4,312 daN
Tipping load, straight	3,800 kg
Tipping load, articulated	3,355 kg
Lifting capacity at ground level	3,900 daN
Operating weight	6,280 kg

Specifications

Differing data for use of pallet forks ⁽³⁾ (500 mm distance to center of gravity)

Static tipping load, straight and articulated	2,738 kg
Lifting capacity	2,710 daN
Payload 80% even surface ⁽⁴⁾	2,190 kg
Payload 60% uneven surface ⁽⁴⁾	1,643 kg

Sound level

Average sound power level L _{WA} ⁽⁵⁾	99.9 dB(A)
Guaranteed sound power level L _{WA} ⁽⁵⁾	101.0 dB(A)
Sound pressure level L _{pA} ⁽⁶⁾	78.0 dB(A)
Vibration values hand/arm/whole body vibration ⁽⁷⁾	< 2.5/0.5 m/s²

(3) Loads must always be moved to the ground. (4) According to ISO 8313 and EN 474-3. (5) According to 2000/14/EC and Annexes. (6) According to ISO 6396. (7) According to ISO 8041.



FIRST IMPRESSIONS COUNT!

weycor wheel loaders are more than the sum of their parts. They reflect true passion, a fascination with technology and 'Made in Germany' quality. It's thanks to the innovative spirit of our people, their dedication to detail and their passion for powerful engine technology that this new generation of wheel loaders has been developed.

6,280⁽¹⁾ KG OPERATING WEIGHT

55.4⁽²⁾ KW (74.3 HP) ENGINE OUTPUT

0.8 M³ SHOVEL CAPACITY

Important Information on Shovel Size / Shovel Contents:

The details contained in this brochure relate solely to the weycor shovels referred to in the respective data sheet, with the associated technical parameters and configurations on which the respective CE approval for the device is based. The volume of the specific usable shovel depends on the material-specific bulk weights (t/m³) of the shovel contents, which you can take as approximations from the data sheet's TABLE OF SPECIFIC WEIGHTS IN t/m³. Regardless of this, neither the wheel loader's permissible working weight nor its permissible tipping loads may be exceeded. If the wheel loader is equipped with shovels that are not manufactured and licenced by Atlas Weyhausen GmbH, the buyer and / or the operator is solely responsible for compliance with the relevant statutory regulations and licensing requirements – particularly those relating to road-traffic and road-traffic-licensing law.

(1) Service weight may vary with different equipment.

(2) Power output ISO 14396, exhaust gas aftertreatment according to EU 2016/1628. All technical data refer exclusively to the standard unit.

DETAILS THAT MAKE AN IMPRESSION

It is demanding to meet the new legal requirements for exhaust emissions. The challenge is to create also tangible benefits for our customers. We are proud to have achieved both in the development of the current wheel loader generation: more power - less consumption, plus a number of others innovations that really make a difference on tough construction sites.

Latest kinematics technology

The proven and tested weycor kinematics with its exceptional tear-out force and excellent lifting heights.

Hydraulic quick-change attachment

By allowing you to change the wheel loader's attachments in a few seconds, it turns the vehicle into an all-rounder.

Easy maintenance

Low-maintenance and quick, easy servicing is achieved by central, consolidated, easy-to-reach service points.



weycor
14 1000 BEARING

Articulated joint

The combination of pendulum joint and the rear oscillating axle provides for excellent maneuverability and cross-country mobility. Even on challenging terrain, the low center of gravity ensures exceptional stability.



Comfortable cabin

In addition to the excellent circumferential visibility in the wheel loader, its clearly arranged controls and its ergonomic design.

Powerful drive unit

weycor wheel loaders are equipped with state-of-the-art engines which combine high power reserves for challenging operations with up-to-date low emission values.

Inching Pedal

As the only manufacturer, our wheel loaders have a separate inching pedal as standard. This prevents the possibility of moving against the operating brake, in contrast to the combination of a brake/inch pedal. A generously proportioned inching range facilitates precise distribution of shearing and lifting forces. The result: less wear and lower fuel consumption.

Spring-loaded brake

The spring-loaded or negative brake in weycor wheel loaders is a closed brake system (oil bath multiple-disc brake) which holds the wheel loader securely in position on a slope when the brake or inch function is activated and automatically locks all four wheels when the engine is at a standstill. The multiple-disc brake runs in the oil bath and is particularly low-maintenance and low-wearing as a result.

INNOVATIVE ENGINE TECHNOLOGY

TD 2.9 L4 – intelligent efficient

We have been convinced of the quality of Deutz engines for over 40 years. Our cooperation with Deutz also offers numerous benefits for the AR 480S: such as the electronic engine control with intelligent connection to the drive management. This ensures the best engine performance with low fuel consumption.

Mighty performance

55.4 kW at a maximum of 2,200 rpm

Compliance with emission standards

EU Stage 5 - DOC + DPF from 2019



Deutz engine technology: TD 2.9 L4

Water-cooled 4-cylinder inline engine with cooled, external exhaust gas recirculation with turbocharging and with charge air cooling. The powerful Common Rail injection system and highly-efficient combustion process with cooled external exhaust gas recirculation ensure optimum engine performance at low fuel consumption and exhaust emissions.

Through the use of the diesel particulate filter, the engines comply with the EU Stage V emissions standard 2019. For ease of machine installation engine foot print and all major installation interfaces will stay unchanged for Stage V.



TECHNICAL DATA

Engine

Model	TD 2.9 L4
Design	water cooled
Output	55.4 kW ⁽¹⁾ (74.3 HP) at 2,200 rpm
Max. torque	260 Nm at 1,600 rpm
Cubic capacity	2,924 cm ³
Number of cylinders	4 in line

Electrical system

Operating voltage	12 V
Battery	12 V / 100 Ah
Generator	14 V / 95 A
Starter	12 V / 2,6 kW

Drive

Output-regulated hydrostatic drive with pressure cut off and closed circuit acting on all 4 wheels.

Speed with standard tires:

Operating speed range 0–6.5 km/h

Road speed range 0–20 km/h

Optional high speed 0–40 km/h

1st and 2nd hydraulic gear can be engaged under load, forward/backward travel also. Forward/backward travel, speed ranges and off-position operational via weycor joystick. Drive operated by accelerator and separate inching pedal for best distribution of the hydraulic power for thrust and lifting forces.

Brakes

Standard brake: Multi-disc brake in oil bath acting on all 4 wheels. Supplementary brake functions via inching pedal and hydrostatic drive acting on all 4 wheels.

Parking brake: Parking brake as springloaded brake acting on all 4 wheels. In case of standstill of engine the spring-loaded brake is automatically reactivated.

Steering

Fully hydraulic center pivot steering and oscillating rear axle with automatic lock during swing-action by hydraulic rams

Front and rear wheels follow the same track

Steering angle of 40° to each side, ±10° angular movement at rear of vehicle

Operating pressure of steering hydraulics 175 bar

Emergency steering function

Axles

Rigid axle front, pendulum rear axle with planetary reduction gears in wheel hubs, electrically connected 100%-differential lock in front and rear axle. On swinging automatic blocking of pendulum axle

Tires (Special tires upon request)

Standard: 16/70 R20 MPT 14 PR – Multi-purpose tires for earth moving machines, with good traction, self-cleaning and firm stability

Hydraulic system

Gear pump for loading and steering hydraulics

Priority valve favoring steering hydraulics

Lowering brake dependent of load

3rd hydraulic section

Loading hydraulic hydraulically pre-activated by weycor joystick, including float position

Operating pressure 230 bar, Delivery of pump 62 l/min

Fuel/oil capacities

Diesel	80 Liter
Hydraulic oil	79 Liter
Engine oil	8 Liter
Front axle	5.1 Liter
Rear axle	5.4 Liter
Gear oil	0.7 Liter
Cooling liquid	13 Liter

Loading equipment

Powerful solid and swingable parallelkinematics, swivelling range up to 180°

Swing cut-off by danger of tyre damage

Hydraulic quick change device

Activation of all functions by weycor joystick

Parallel movement while using pallet forks

Automatic shovel return to excavation position

Locking device acc. to German StVZO for road travel

Lifting 5.6 s

Lowering 4.3 s

Tipping 1.2 s

(1) Power output ISO 14396, exhaust aftertreatment according to EU 2016/1628.

Equipment – Series

Rear driving mirrors, foldable
Heatable rear screen
Comfortable access to cab from both sides
Joystick with integrated proportional steering for 3rd section or swing-action control
weycor diagnostic system
Control lights for speed range, forward/backward travel
Lights acc. to German StVZO for road travel
Individually adjustable driver's seat with adjustable right arm rest
Water heating with heat exchange and 4-stage fan
Front windscreen ventilation, variable output
Sound absorbing ROPS cab
Windscreen wipe and wash unit in front and rear
Sun visor, coat hook, ceiling lamp, stow facility
Adjustable steering column
Heat protection glazing with largetinted screens
Control lights for engine oil pressure, overheating, hydraulic oil temperature, battery power, parking brake and air filter
Central dashboard with indicators for preheating, engine temperature, fuel, working hour meter
Cyclone dust separator with Air filter control

Equipment – Option

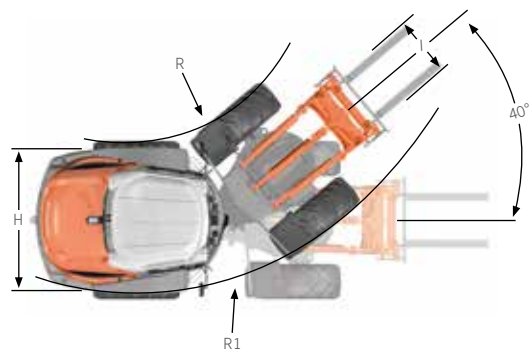
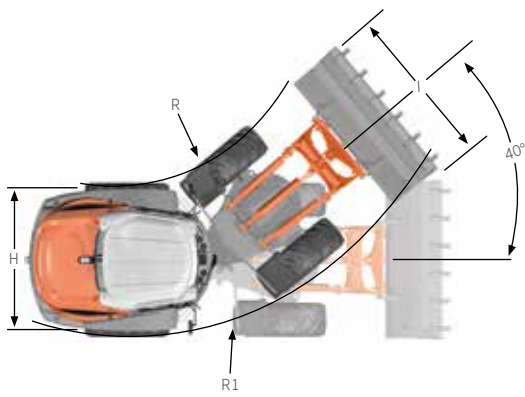
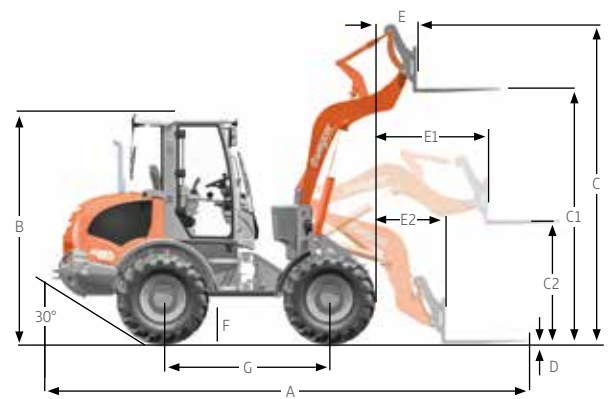
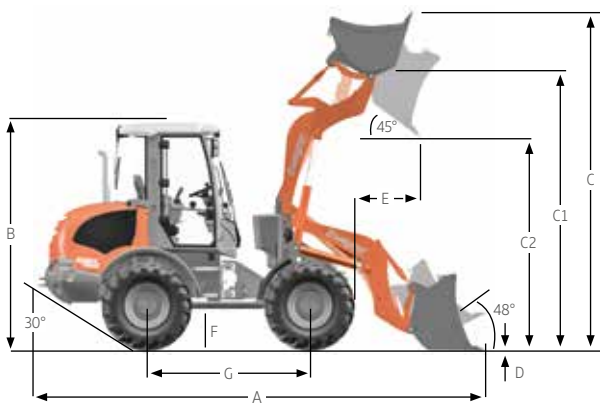
Stability damping system
High speed version 40 km/h
Air conditioning
Load check valve
Main battery switch
Corrosion prevention against salt
Special paintings and oils
Trailer coupling
Heatable and air cushioned seats
Auxiliary heating, comfort cab
Extra seat
Radio
Warning beacon
Doors with sliding windows, left and right side
Anti-theft-device with code stick
FOPS-roof
Glass roof arrangeable
Hydraulic start-stop system
Diesel particulate filter

TECHNICAL DATA

	AR 480S with standard shovel	AR 480S with pallet forks
A	5,400 mm	5,820 mm
B	2,796 mm	2,796 mm
C	4,015 mm	3,465 mm
C1	3,241 mm	3,035 mm
C2	2,550 mm	1,375 mm
D	80 mm	50 mm
E	610 mm	510 mm
E1	-	1,350 mm
E2	-	900 mm
F	500 mm	500 mm
G	2,000 mm	2,000 mm
H	1,950 mm	1,950 mm
I	1,970 mm	1,030 mm
J	510 mm	1,010 mm
K	250 mm	750 mm
R	1,772 mm	1,772 mm
R1	3,761 mm	3,761 mm

Specific gravity for material handling weight (t/m³)

Construction		Industry		Landscaping, Agriculture			
Concrete	1.9	Sand (watery)	2.1	Ember	0.7	Agricultural crop	0.7
Soil (dry)	1.5	Sandstone	2.4	Brown coal briquette	0.8	Grain	0.6
Soil (watery)	2.0	Shale	2.2	Ferrous product	7.8	Hay	0.3
Rock (fill)	2.4	Sediment	2.1	Iron ore	2.3	Potash	1.1
Granite	1.8	Crushed stone	1.5	Cullet	1.9	Compost	1.0
Limestone	1.6	De-icing salt	1.3	Gas coke	0.4	Flour	0.5
Gravel (dry)	1.9	Clay	1.6	Timber	0.8	Clay (watery)	2.3
Gravel (watery)	2.1	Cement	1.7	Mineral coal	1.2	Phosphate fertiliser	2.2
Loam	1.7	Clinker (stacked)	1.8	Paper	0.9	Turf (watery)	1.1
Plaster	2.2			Slag	1.0	Turf (dry)	0.4
Sand (dry)	1.9			Slag concrete	2.7	Mineral fertiliser	1.0



With standard shovel

With pallet forks



You can find our current product range and more exciting details at: www.weycor.de

Under our policy of continuous improvement, we reserve the right to change specifications and design without prior notice, errors expected. The technical data refer only to the standard version, illustrations do not necessarily show the standard version of the machine. Not all products are available in all markets.

weycor is a brand of ATLAS WEYHAUSEN GMBH.

ATLAS WEYHAUSEN GMBH · D - 27793 Wildeshausen
Phone +49 (0) 44 31 - 98 10 · info@weycor.de · www.weycor.de

